

»FUTURA« series

Oil-mist lubricators with excellent flow rates in modern design.

These devices can be used to top up oil automatically.

A hose must be connected to the threaded nipple on the oil bowl for this purpose.

When the oil filling button on the top of the device is pressed, a Venturi nozzle opens and sucks oil into the bowl under vacuum.

Max. input pressure	16 bar
Temperature range	-10 °C to 50 °C
Medium	Compressed air, neutral gases
Housing	PA66 GF60
Connecting thread	Material: Die-cast zinc
Sight dome	PC
Sealant	NBR
Oil grade	CL 32 acc. to DIN 51517-ISO VG 32
Flow rate measurement	At $P_2 = 6$ bar and pressure drop $\Delta p = 1$ bar

Oil-mist lubricator with metal bowl and sight glass

Art. No.	Type No.	Thread	Size	Flow rate l/min
156650	FU 901-M	G 1/4	1	2750
156651	FU 902-M	G 3/8	1	2750

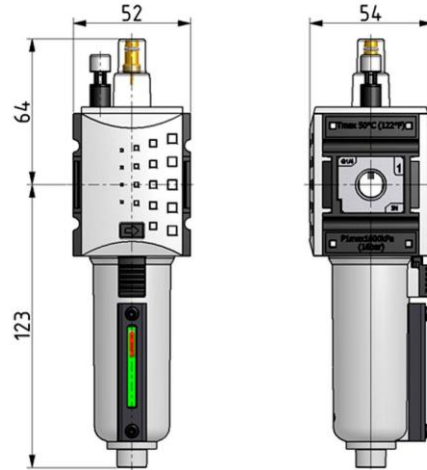
Accessories / spare parts

Art. No.	Type No.	Description
100038	H 850	Mounting bracket, incl. 2 screws
100039	WK 100	Wall bracket, incl. 2 screws
100040	KP 100	Joiner set, incl. 2 screws
100212	BSL 14	Polycarbonate bowl, incl. bowl guard for oiler
100213	ML 14	Metal bowl, incl. sight glass for oiler
135851	WK 101-14	Wall bracket with connection thread G 1/4
135852	WK 101-38	Wall bracket with connection thread G 3/8
100214	901.7.990	Sight dome, polycarbonate

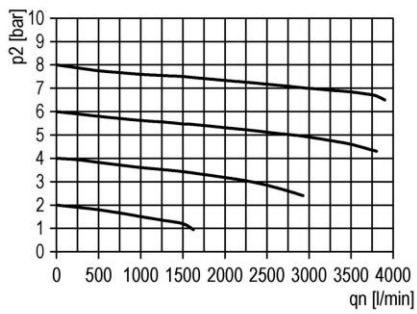
P 1-518 e

Oil-mist lubricator

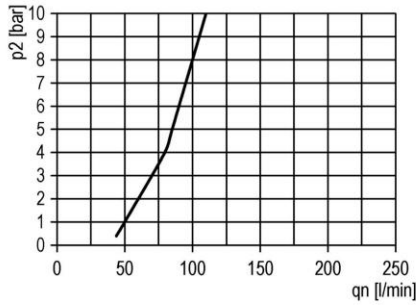
Art. No. 156650 and 156651



flow characteristic



lubricator operating limit



symbol

